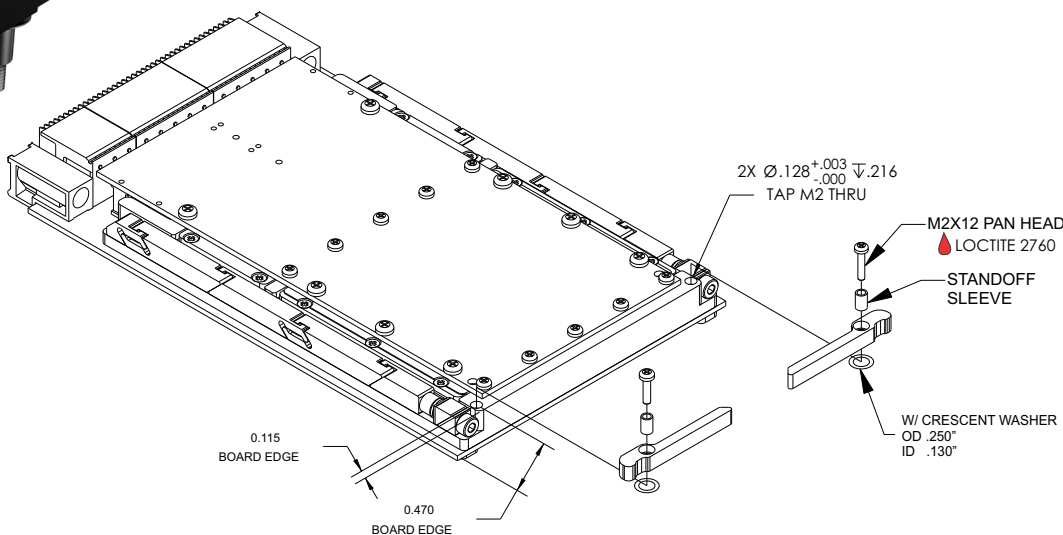


The OpenCOTS 3U ejectors represent an innovative approach to create a field replaceable inject / eject handle for cPCI and VME/VPX designs. The ejector handles are ergonomically designed to provide a mechanical advantage entering and exiting a chassis slot.

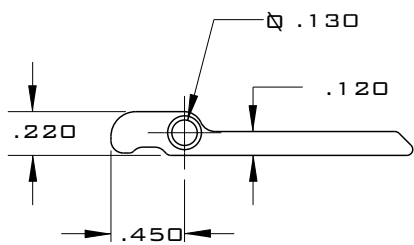
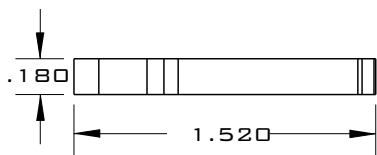
OPTIMIZED FOR VITA 48.2 AND cPCI



FEATURES

- Field replaceable
- Injection / ejection
- VITA 48.2 compliant
- VME and cPCI compliant
- Low profile design
- Ergonomic design
- 3D models available

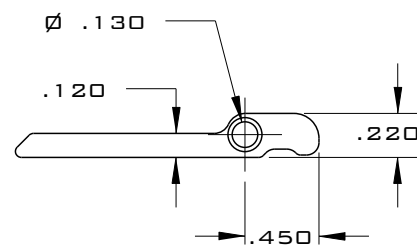
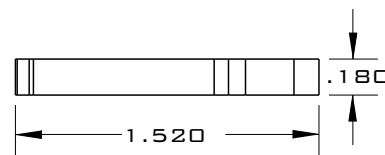
#14037 (LEFT)



MATERIALS

Body:
Aluminum AL7075-T7351
Hardware:
300 Series Stainless Steel
(passivated per AMS - 2700)

#14036 (RIGHT)



PART NUMBER BUILDER

14037 - XX - XXXX

Ejector Style

RIGHT SIDE [14036]
LEFT SIDE [14037]

Finish

[BA]
[BH]
[CC]
[CG]
[EN]

Mounting

[1875] - .1875" STANDOFF, M2 SCREW & WASHER
[250] - .250" STANDOFF, M2 SCREW & WASHER
[3125] - .3125" STANDOFF, M2 SCREW & WASHER

See last page for
more plating info

	BLACK ANODIZE PER MIL-A-8625, TYPE II, CLASS 2	[BA]
	HARD BLACK ANODIZE PER MIL-A-8625, TYPE III, CLASS 2	[BH]
	CHEMICAL FILM CLEAR	[CC]
	CHEMICAL FILM GOLD	[CG]
	ELECTROLESS NICKEL	[EN]

Standard material specs for WaveTherm's SOLIDWEDGE™, injector/ejectors, and OpenCOTS products.

ASSEMBLY HARDWARE



300 SERIES STAINLESS STEEL

Compliance	Specification	Use Case
✓ DFARS	Passivated per AMS-2700	Standard material for screws, nuts, washers, and SOLIDWEDGE™ straps in WaveTherm product assemblies.
✓ RoHS		
✓ REACH		

ALUMINUM PLATING



BLACK ANODIZED - BA

Compliance	Specification	Properties and Use Case
✓ RoHS	MIL-A-8625 Type II Class 2	Provides reliable corrosion resistance and durability. Ideal for use in demanding applications requiring high insertion/extraction counts.
✓ REACH		



BLACK ANODIZED HARDENED - BH

Compliance	Specification	Properties and Use Case
✓ RoHS	MIL-A-8625 Type III Class 2	Provides superior corrosion resistance and high durability. Ideal for use in harsh and rugged environments with high insertion/extraction counts.
✓ REACH		



CHEMICAL FILM CLEAR - CC

Compliance	Specification	Properties and Use Case
✓ RoHS	MIL-DTL-5541 Type II Class 1A Clear	Provides good corrosion resistance and electrical conductivity with lower durability. Not ideal for high insertion/extraction counts.
✓ REACH		



CHEMICAL FILM GOLD - CG

Compliance	Specification	Properties and Use Case
✗ RoHS	MIL-DTL-5541 Type I Class 1A Gold	MIL-C-5541 Class 1A Gold Provides good electrical conductivity with lower durability. Not suited for high insertion/extraction counts.
✗ REACH		



ELECTROLESS NICKEL - EN

Compliance	Specification	Properties and Use Case
✓ RoHS	MIL-C-26074 Class 4 Grade B	AMS-C-26074 Class 4 Grade B Provides excellent thermal performance and excellent electrical conductivity. Ideal for high-performance thermal management.
✓ REACH		

Images for demonstration only

*varies based on plating vendor's certificates of conformance