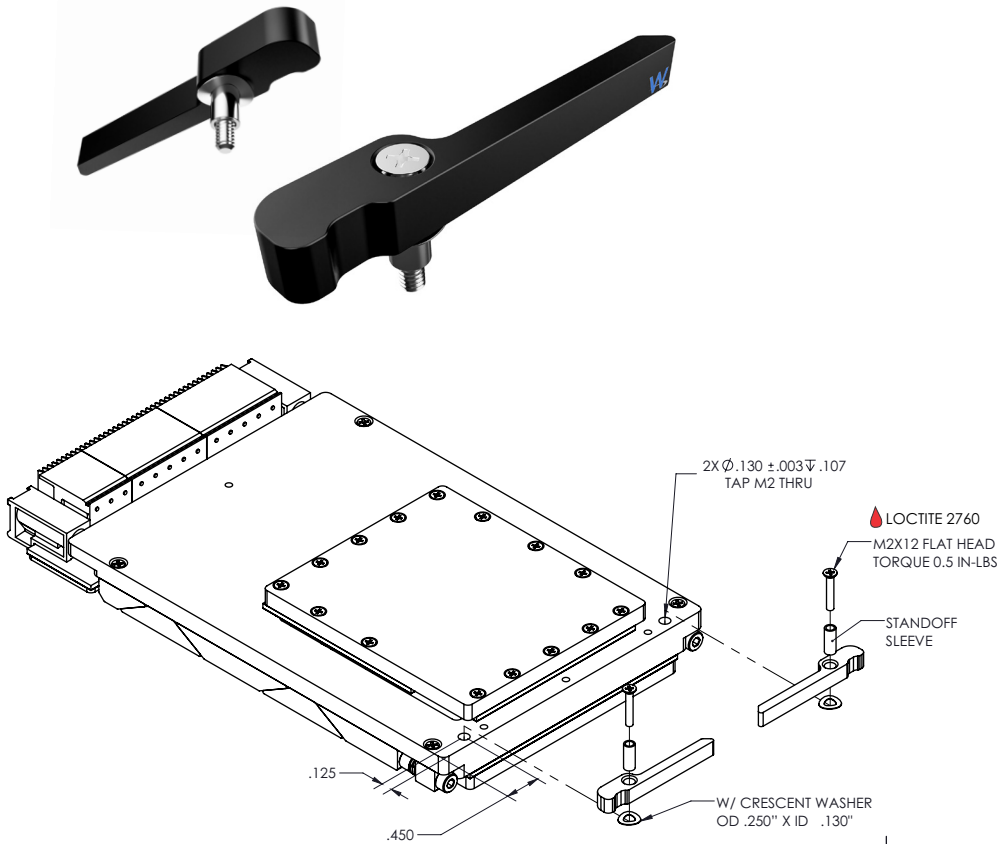


The OpenCOTS 3U ejectors represent an innovative approach to create a field replaceable inject/eject handle for cPCI and VME/VPX designs. The ejector handles are ergonomically designed to provide a mechanical advantage entering and exiting a chassis slot.

OPTIMIZED FOR VITA 48.2 AND cPCI



FEATURES

- 0.25" Max Ejection
- 2.7x Mechanical Advantage
- Up to 120 lbs Insertion/Extraction force
- VME and cPCI Compliant
- Universal / Reversible
- Ergonomic Design
- 3d Models Available

MATERIALS

Body:

Aluminum AL7075-T7351

Hardware:

300 Series Stainless Steel
(passivated per AMS - 2700)

PART NUMBER BUILDER

14104 - XX - XXXX

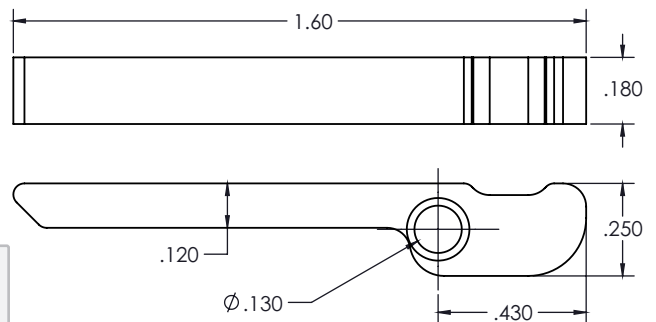
Ejector Style

Finish

Mounting

- NONE - NO MOUNTING HARDWARE
- [1875] - .1875" STANDOFF & M2 SCREW
- [250] - .250" STANDOFF & M2 SCREW
- [3125] - .3125" STANDOFF & M2 SCREW

	[BA] BLACK ANODIZE PER MIL-A-8625, TYPE II, CLASS 2
	[BH] HARD BLACK ANODIZE PER MIL-A-8625, TYPE III, CLASS 2
	[CC] CHEMICAL FILM PER MIL-C-5541, CLASS 1A, CLEAR
	[CG] CHEMICAL FILM PER MIL-C-5541, CLASS 1A, GOLD, NON-ROHS
	[EN] ELECTROLESS NICKEL PER MIL-C-26074, CLASS 4, GRADE B, BRIGHT



OpenCOTS™