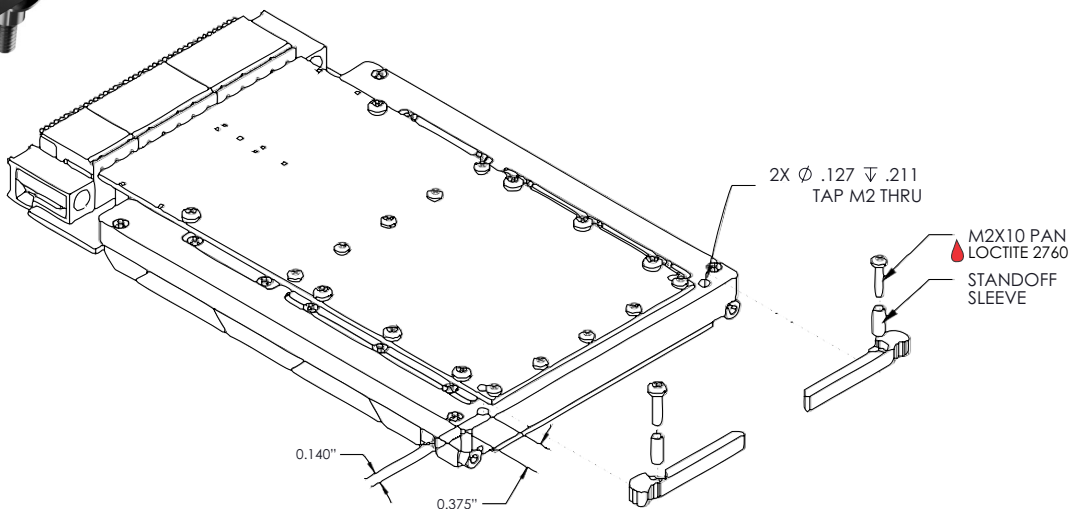


The OpenCOTS 3U ejectors represent an innovative approach to create a field replaceable inject / eject handle for cPCI and VME/VPX designs. The ejector handles are ergonomically designed to provide a mechanical advantage entering and exiting a chassis slot.

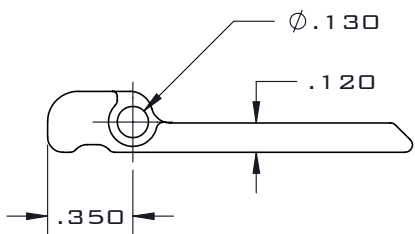
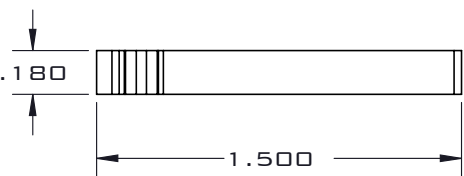
OPTIMIZED FOR VITA 48.2 AND cPCI



FEATURES

- Field replaceable
- Injection / ejection
- Vita 48.2 compliant
- VME and cPCI compliant
- Low profile design
- Ergonomic design
- 3D models available

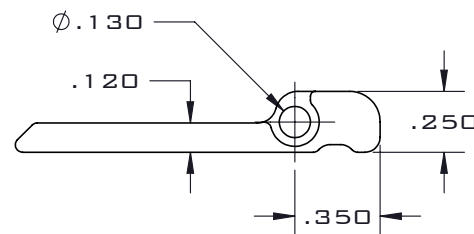
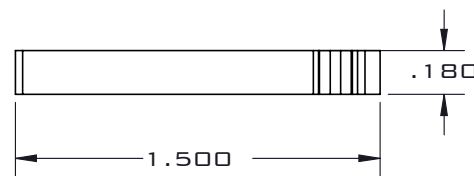
#1423 (LEFT)



MATERIALS

Body:
Aluminum AL7075-T7351
Hardware:
300 Series Stainless Steel
(passivated per AMS - 2700)

#1422 (RIGHT)



PART NUMBER BUILDER

1423 - XX - XXXX

Ejector Style

RIGHT SIDE [1422]
LEFT SIDE [1423]

Finish

Mounting

[1875] - .1875" STANDOFF & M2 SCREW
[250] - .250" STANDOFF & M2 SCREW
[3125] - .3125" STANDOFF & M2 SCREW

- [BA] BLACK ANODIZE PER MIL-A-8625, TYPE II, CLASS 2
- [BH] HARD BLACK ANODIZE PER MIL-A-8625, TYPE III, CLASS 2
- [CC] CHEMICAL FILM PER MIL-C-5541, CLASS 1A, CLEAR
- [CG] CHEMICAL FILM PER MIL-C-5541, CLASS 1A, GOLD, NON-ROHS
- [EN] ELECTROLESS NICKEL PER MIL-C-26074, CLASS 4, GRADE B, BRIGHT