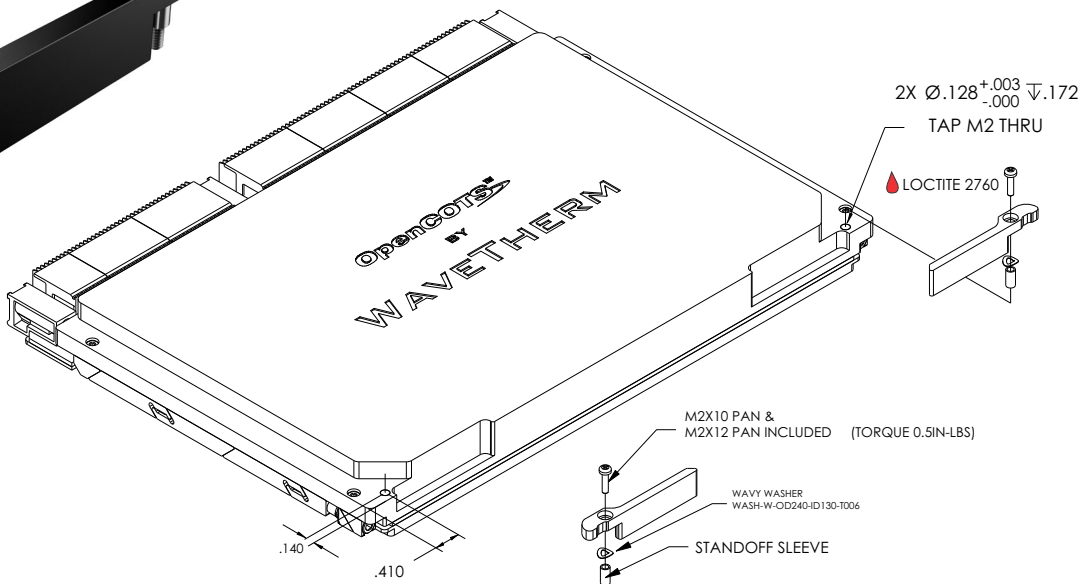


The OpenCOTS 6U ejectors represent an innovative approach to create a field replaceable inject / eject handle for cPCI and VME/VPX designs. The ejector handles are ergonomically designed to provide a mechanical advantage entering and exiting a chassis slot.

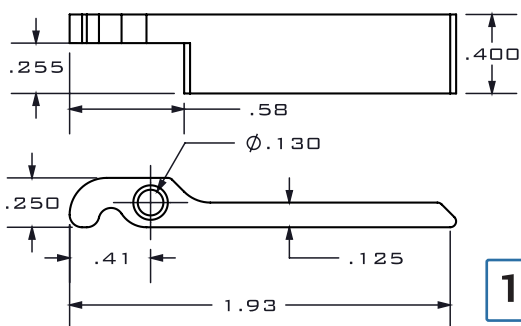
### OPTIMIZED FOR VITA 48.2 AND cPCI



### FEATURES

- Field replaceable Injection / ejection
- VITA 48.2 compliant
- VME and cPCI compliant
- Low profile design
- Ergonomic design
- 3D models available

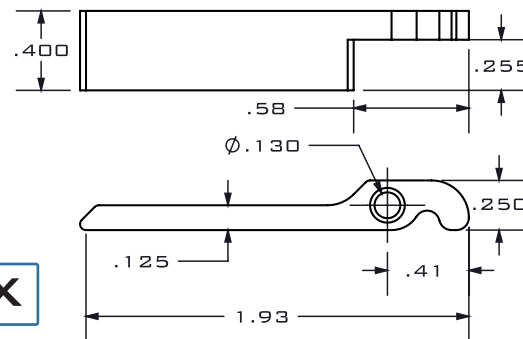
### #14309 (LEFT)



### MATERIALS

Body:  
Aluminum AL7075-T7351  
Hardware:  
300 Series Stainless Steel  
(passivated per AMS - 2700)

### #14308 (RIGHT)



### PART NUMBER BUILDER

**14309 - XX - XXXX**

#### Ejector Style

RIGHT SIDE [14308]  
LEFT SIDE [14309]

#### Finish

[BA]  
[BH]  
[CC]  
[CG]  
[EN]

#### Mounting

[1875] - .1875" STANDOFF, M2 SCREWS & WASHER  
[250] - .250" STANDOFF, M2 SCREWS & WASHER  
[3125] - .3125" STANDOFF, M2 SCREWS & WASHER

See last page for more plating info

	BLACK ANODIZE PER MIL-A-8625, TYPE II, CLASS 2	[BA]
	HARD BLACK ANODIZE PER MIL-A-8625, TYPE III, CLASS 2	[BH]
	CHEMICAL FILM CLEAR	[CC]
	CHEMICAL FILM GOLD	[CG]
	ELECTROLESS NICKEL	[EN]

Standard material specs for WaveTherm's SOLIDWEDGE™, injector/ejectors, and OpenCOTS products.

### ASSEMBLY HARDWARE



#### 300 SERIES STAINLESS STEEL

Compliance	Specification	Use Case
✓ DFARS	Passivated per	Standard material for screws, nuts, washers, and SOLIDWEDGE™ straps in WaveTherm product assemblies.
✓ RoHS	AMS-2700	
✓ REACH		

### ALUMINUM PLATING



#### BLACK ANODIZED - BA

Compliance	Specification	Properties and Use Case
✓ RoHS	MIL-A-8625	Provides reliable corrosion resistance and durability. Ideal for use in demanding applications requiring high insertion/extraction counts.
✓ REACH	Type II	
	Class 2	



#### BLACK ANODIZED HARDENED - BH

Compliance	Specification	Properties and Use Case
✓ RoHS	MIL-A-8625	Provides superior corrosion resistance and high durability. Ideal for use in harsh and rugged environments with high insertion/extraction counts.
✓ REACH	Type III	
	Class 2	



#### CHEMICAL FILM CLEAR - CC

Compliance	Specification	Properties and Use Case
✓ RoHS	MIL-DTL-5541	Provides good corrosion resistance and electrical conductivity with lower durability. Not ideal for high insertion/extraction counts.
✓ REACH	Type II	
	Class 1A Clear	



#### CHEMICAL FILM GOLD - CG

Compliance	Specification	Properties and Use Case
✗ RoHS	MIL-DTL-5541	Provides good electrical conductivity with lower durability. Not suited for high insertion/extraction counts.
✗ REACH	Type I	
	Class 1A Gold	



#### ELECTROLESS NICKEL - EN

Compliance	Specification	Properties and Use Case
✓ RoHS	MIL-C-26074	Provides excellent thermal performance and excellent electrical conductivity. Ideal for high-performance thermal management.
✓ REACH	Class 4	
	Grade B	

Images for demonstration only

\*varies based on plating vendor's certificates of conformance