

The OpenCOTS 3U ejectors represent an innovative approach to create a field replaceable inject/eject handle for cPCI and VME/VPX designs. The ejector handles are ergonomically designed to provide a mechanical advantage entering and exiting a chassis slot.

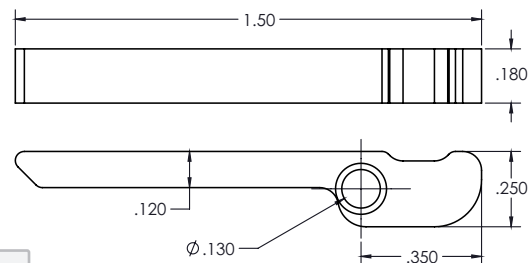
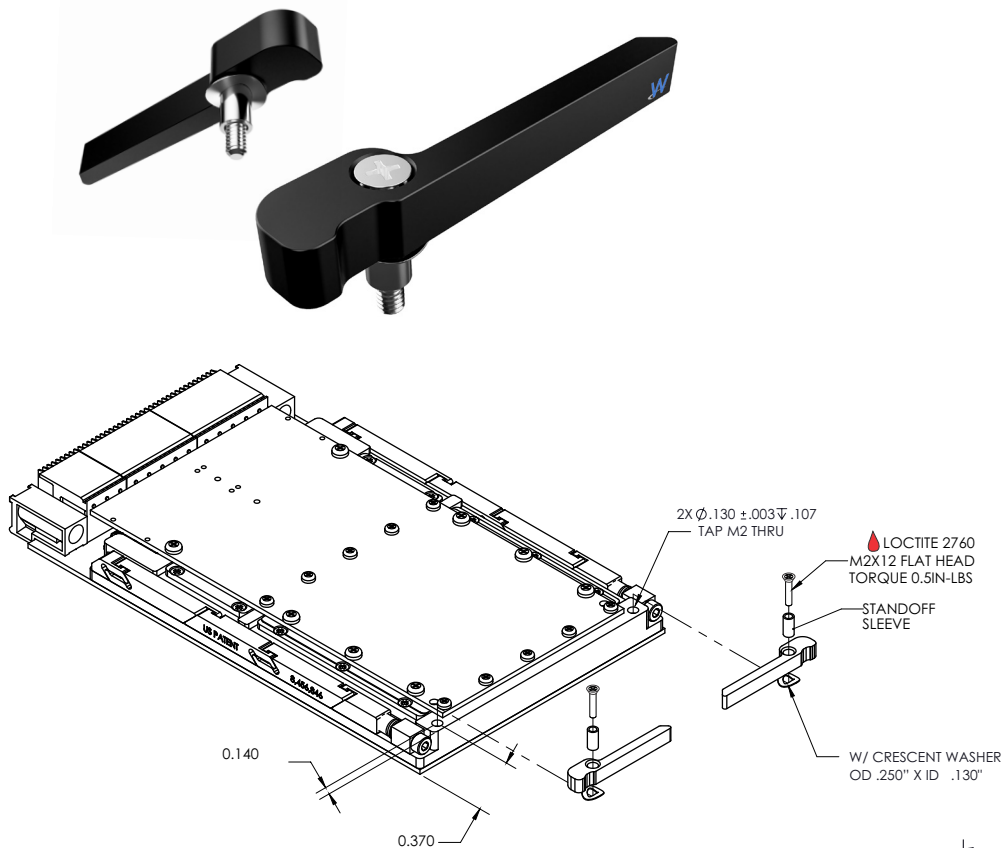
### OPTIMIZED FOR VITA 48.2 AND cPCI

### FEATURES

- 0.19" Max Ejection
- 3.3x Mechanical Advantage
- Up to 160 lbs Insertion/Extraction force
- VME and cPCI Compliant
- Universal / Reversible
- Ergonomic Design
- 3d Models Available

### MATERIALS

- Body:  
Aluminum AL7075-T7351
- Hardware:  
300 Series Stainless Steel  
(passivated per AMS - 2700)



### PART NUMBER BUILDER

1491

XX

XXXX

Ejector Style

Finish

Mounting

- NONE - NO MOUNTING HARDWARE
- [1875] - .1875" STANDOFF, M2 SCREW & WASHER
- [250] - .250" STANDOFF, M2 SCREW & WASHER
- [3125] - .3125" STANDOFF, M2 SCREW & WASHER

- [BA] BLACK ANODIZE PER MIL-A-8625, TYPE II, CLASS 2
- [BH] HARD BLACK ANODIZE PER MIL-A-8625, TYPE III, CLASS 2
- [CC] CHEMICAL FILM CLEAR
- [CG] CHEMICAL FILM GOLD
- [EN] ELECTROLESS NICKEL

See last page for more plating info

**OpenCOTS™**

Standard material specs for WaveTherm's SOLIDWEDGE™, injector/ejectors, and OpenCOTS products.

### ASSEMBLY HARDWARE



#### 300 SERIES STAINLESS STEEL

Compliance	Specification	Use Case
✓ DFARS	Passivated per	Standard material for screws, nuts, washers, and SOLIDWEDGE™ straps in WaveTherm product assemblies.
✓ RoHS	AMS-2700	
✓ REACH		

### ALUMINUM PLATING



#### BLACK ANODIZED - BA

Compliance	Specification	Properties and Use Case
✓ RoHS	MIL-A-8625	Provides reliable corrosion resistance and durability. Ideal for use in demanding applications requiring high insertion/extraction counts.
✓ REACH	Type II	
	Class 2	



#### BLACK ANODIZED HARDENED - BH

Compliance	Specification	Properties and Use Case
✓ RoHS	MIL-A-8625	Provides superior corrosion resistance and high durability. Ideal for use in harsh and rugged environments with high insertion/extraction counts.
✓ REACH	Type III	
	Class 2	



#### CHEMICAL FILM CLEAR - CC

Compliance	Specification	Properties and Use Case
✓ RoHS	MIL-DTL-5541	Provides good corrosion resistance and electrical conductivity with lower durability. Not ideal for high insertion/extraction counts.
✓ REACH	Type II	
	Class 1A Clear	



#### CHEMICAL FILM GOLD - CG

Compliance	Specification	Properties and Use Case
✗ RoHS	MIL-DTL-5541	Provides good electrical conductivity with lower durability. Not suited for high insertion/extraction counts.
✗ REACH	Type I	
	Class 1A Gold	



#### ELECTROLESS NICKEL - EN

Compliance	Specification	Properties and Use Case
✓ RoHS	MIL-C-26074	Provides excellent thermal performance and excellent electrical conductivity. Ideal for high-performance thermal management.
✓ REACH	Class 4	
	Grade B	

Images for demonstration only

\*varies based on plating vendor's certificates of conformance