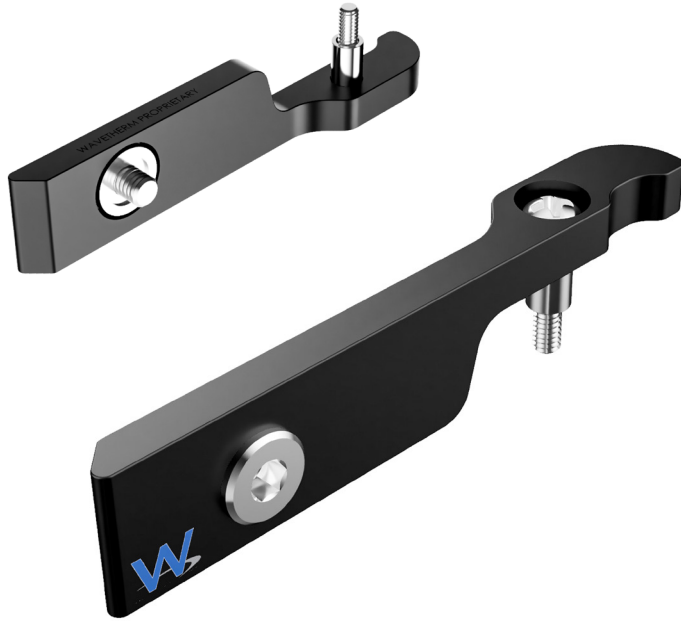


The 6U Conduction-Cooled Hex Drive Injector/Ejector utilizes a M3 captive screw with standard hex drives, enabling the end user to reduce the number of tools needed by only requiring the hex tool for insertion or extraction of the module.

OPTIMIZED FOR VITA 48.2 AND cPCI



FEATURES

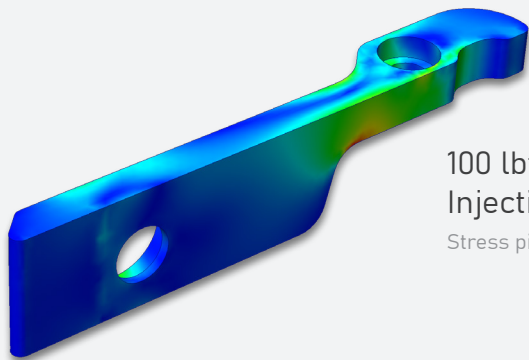
- Field Replaceable
- Captive Screw
- Injection/Ejection
- VITA 48.2 Compliant
- VME Compliant
- cPCI Compliant
- Low-Profile Design
- Ergonomic Design
- 3D Models Available

MATERIAL

- Ejector
Aluminum AL7075-T7351
- Hardware
SS316 Passivated AMS 2700
- Retainer Ring
Nylon

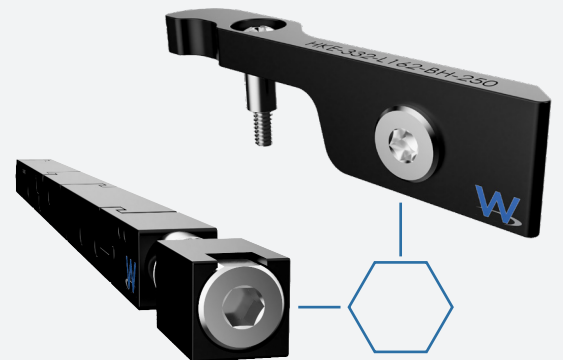
OpenCOTS™

DESIGN - SIMULATE - TEST

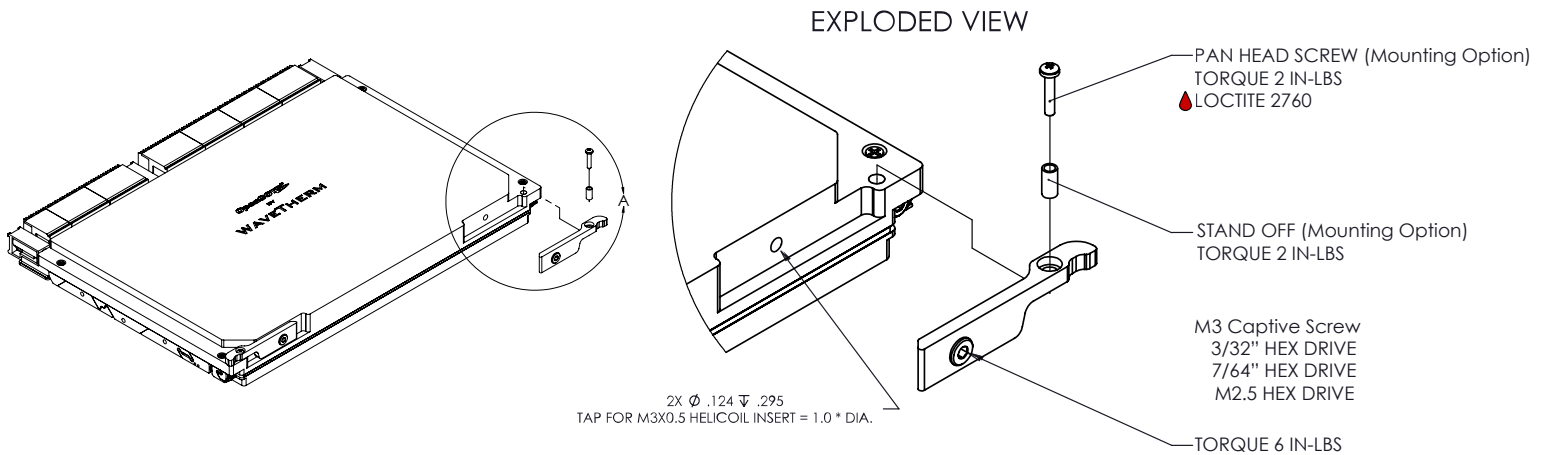
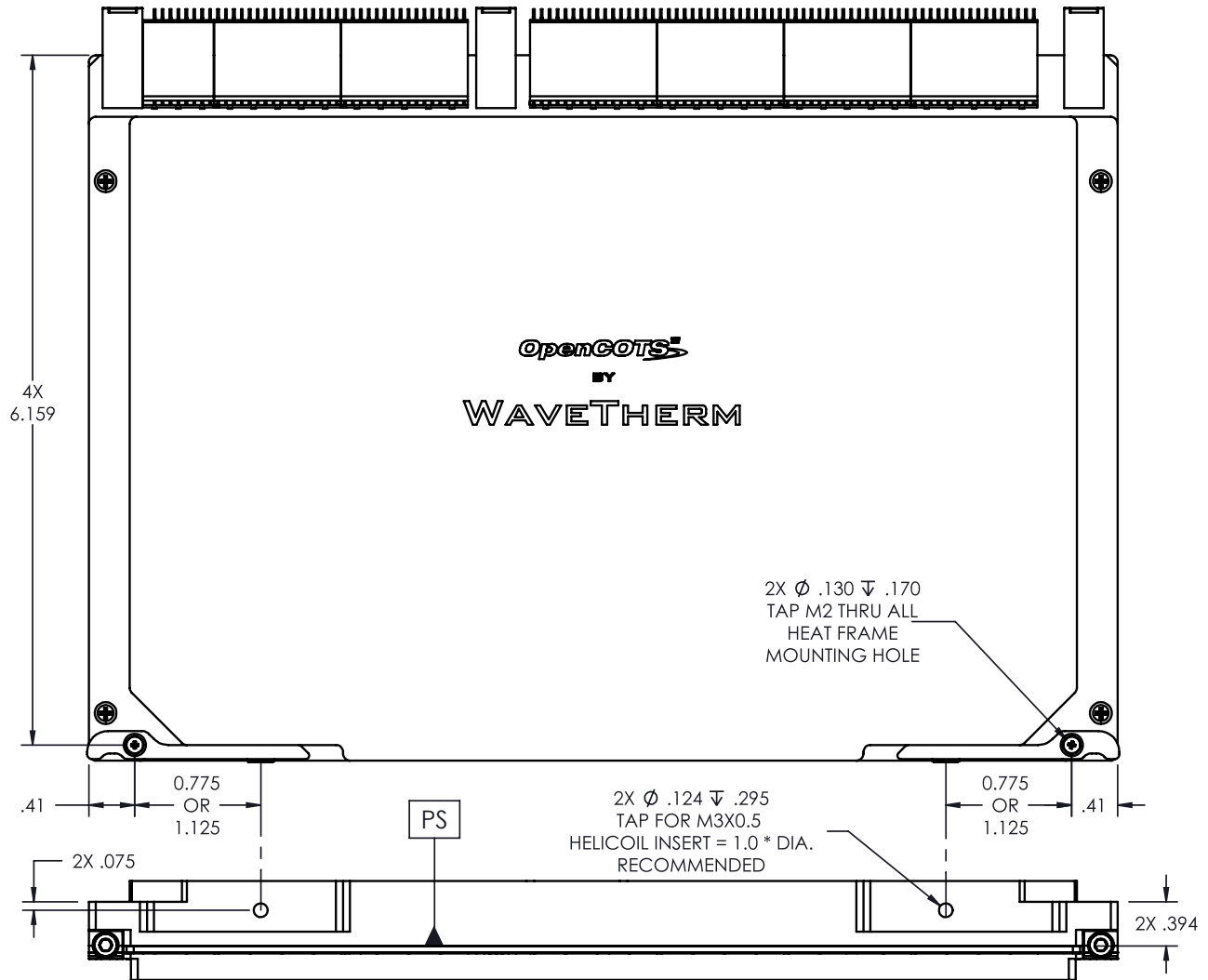


100 lbf Max
Injection/Ejection Force
Stress pictured at max force

ONE TOOL EXTRACTION



One hex key can remove Wedge Locks and Injector/Ejectors, minimizing tools for the maintainer.



PART NUMBER BUILDER

Required

Opt

Required

Optional

HKE - **XXX** **Y** - **X** **XXX** - **XX** - **YYYY**

Family:

HEX KEY INJECTOR/EJECTOR

Hex:

3/32" HEX KEY - [332]
7/64" HEX KEY - [764]
M2.5 HEX KEY - [M25]

Opt:

(OPTIONAL)
[E] EXTENDED THREADS

R/L:

[R] - RIGHT
[L] - LEFT

Length

1.62" - [162]
1.97" - [197]
2.04" - [204]

Finish:

Mounting:

BLANK - NO STANDOFF OR SCREWS
[1875] - .1875" STANDOFF, M2X8 & M2X10
[250] - .250" STANDOFF, M2X10 & M2X12
[3125] - .3125" STANDOFF, M2X12 & M2X14



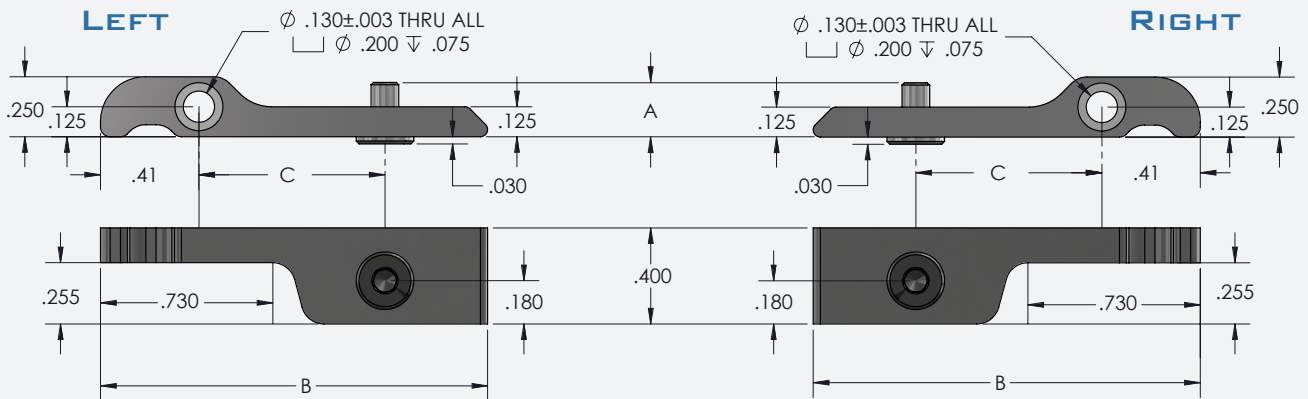
BLACK ANODIZE PER MIL-A-8625, TYPE II, CLASS 2 [BA]
HARD BLACK ANODIZE PER MIL-A-8625, TYPE III, CLASS 2 [BH]
CHEMICAL FILM CLEAR [CC]
CHEMICAL FILM GOLD [CG]
ELECTROLESS NICKEL [EN]

See last page for more plating info

EXAMPLES



HKE-332E-R162-BA HKE-332E-R162-BA-250



Part Number	A	B	C
HKE-332-L162-XX-XXX	5.75 MM	1.62"	0.775"
HKE-332E-L162-XX-XXX	7.0 MM	1.62"	0.775"
HKE-332-L197-XX-XXX	5.75 MM	1.97"	1.125"
HKE-332E-L197-XX-XXX	7.0 MM	1.97"	1.125"
HKE-332-L204-XX-XX	5.75 MM	2.04"	1.125"
HKE-332-L204E-XX-XXX	7.0 MM	2.04"	1.125"

Part Number	A	B	C
HKE-332-R162-XX-XXX	5.75 MM	1.62"	0.775"
HKE-332E-R162-XX-XXX	7.0 MM	1.62"	0.775"
HKE-332-R197-XX-XXX	5.75 MM	1.97"	1.125"
HKE-332E-R197-XX-XXX	7.0 MM	1.97"	1.125"
HKE-332-R204-XX-XXX	5.75 MM	2.04"	1.125"
HKE-332-R204E-XX-XXX	7.0 MM	2.04"	1.125"

Standard material specs for WaveTherm's SOLIDWEDGE™, injector/ejectors, and OpenCOTS products.

ASSEMBLY HARDWARE



300 SERIES STAINLESS STEEL

Compliance	Specification	Use Case
✓ DFARS	Passivated per AMS-2700	Standard material for screws, nuts, washers, and SOLIDWEDGE™ straps in WaveTherm product assemblies.
✓ RoHS		
✓ REACH		

ALUMINUM PLATING



BLACK ANODIZED - BA

Compliance	Specification	Properties and Use Case
✓ RoHS	MIL-A-8625 Type II Class 2	Provides reliable corrosion resistance and durability. Ideal for use in demanding applications requiring high insertion/extraction counts.
✓ REACH		



BLACK ANODIZED HARDENED - BH

Compliance	Specification	Properties and Use Case
✓ RoHS	MIL-A-8625 Type III Class 2	Provides superior corrosion resistance and high durability. Ideal for use in harsh and rugged environments with high insertion/extraction counts.
✓ REACH		



CHEMICAL FILM CLEAR - CC

Compliance	Specification	Properties and Use Case
✓ RoHS	MIL-DTL-5541 Type II Class 1A Clear	Provides good corrosion resistance and electrical conductivity with lower durability. Not ideal for high insertion/extraction counts.
✓ REACH		



CHEMICAL FILM GOLD - CG

Compliance	Specification	Properties and Use Case
✗ RoHS	MIL-DTL-5541 Type I Class 1A Gold	MIL-C-5541 Class 1A Gold Provides good electrical conductivity with lower durability. Not suited for high insertion/extraction counts.
✗ REACH		



ELECTROLESS NICKEL - EN

Compliance	Specification	Properties and Use Case
✓ RoHS	MIL-C-26074 Class 4 Grade B	AMS-C-26074 Class 4 Grade B Provides excellent thermal performance and excellent electrical conductivity. Ideal for high-performance thermal management.
✓ REACH		

Images for demonstration only

*varies based on plating vendor's certificates of conformance