

The SOLIDWEDGE™ is a breakthrough technology that allows conduction cooled modules to operate at higher thermal loads in higher temperature environments.

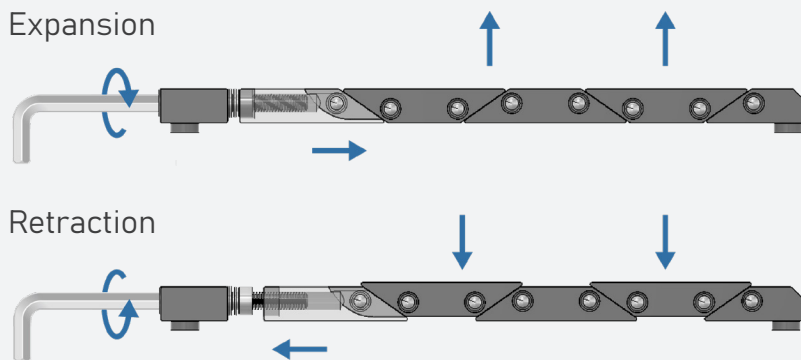
OPTIMIZED FOR VITA 48.2 AND CPCI



**US PATENT
8,456,846**

POSITIVE RETRACTION

Adjacent wedge segments are connected to prevent a stuck wedge lock. Turning the drive screw counterclockwise retracts the threaded drive wedge, pulling each of the connected segments down to their relaxed position.



SW5 Pictured

THERMAL RESISTANCE

0.08 °C/W Resistance per Card Edge

FEATURES

- 1800 lb Clamping Force
- Mass: 148 g
- Helicoil Insert
- Belleville Spring Washers
- #10 Drive Screw
- Zero Insertion Force
- Low Profile Design
- Self-Retracting Segments
- Superior Plating Endurance
- Optimized for Vita Specifications
- Models Available for Download
- Torque to 15-30 in-lbs

MATERIALS

Active Wedge Segments: 6061-T6511

Front Mounting Block: 7075-T7351

Screws, Nuts, Washers:
300 Series Stainless Steel
(passivated per AMS - 2700)

Helicoil Wire Insert: Nitronic 60

3D MODEL:

<https://a360.co/49rYG0m>

The SOLIDWEDGE™ design provides three times the thermal contact area of conventional wedge locks. The design also features a larger screw size, which creates higher contact forces between the heat frame and cold wall surfaces, significantly improving thermal performance.



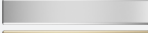

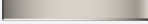
The interconnected links of the SOLIDWEDGE™ feature positive retraction of all segments without the use of springs or other mechanisms.

PART NUMBER BUILDER

Required

Additional Specifications

SW5		220		375		375		XXX		XX		YY			
Wedge:	Spacing:	Height:	Width:	Hex:	Finish:	1		2		3					
	22" MOUNTING HOLE SPACING	0.375"	0.375"			[NL] - NYLOK LOCK PATCH									
SW - SOLIDWEDGE 5 - ACTIVE SEGMENTS				5/32" HEX KEY - [532] M4 HEX KEY - [M4]											

	BLACK ANODIZE PER MIL-A-8625, TYPE II, CLASS 2	[BA]
	HARD BLACK ANODIZE PER MIL-A-8625, TYPE III, CLASS 2	[BH]
	CHEMICAL FILM PER MIL-C-5541, CLASS 1A, CLEAR	[CC]
	CHEMICAL FILM PER MIL-C-5541, CLASS 1A, GOLD, NON-ROHS	[CG]
	ELECTROLESS NICKEL PER MIL-C-26074, CLASS 4, GRADE B, BRIGHT	[EN]

RECOMMENDED PART NUMBER: SW5-220-375-375-532-BA

MOUNTING DETAILS

