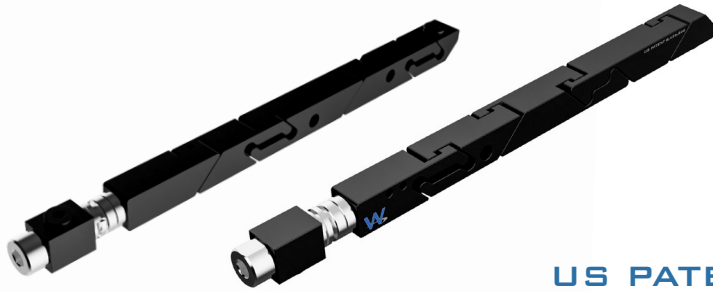


The SOLIDWEDGE™ is a breakthrough technology that allows conduction cooled modules to operate at higher thermal loads in higher temperature environments.

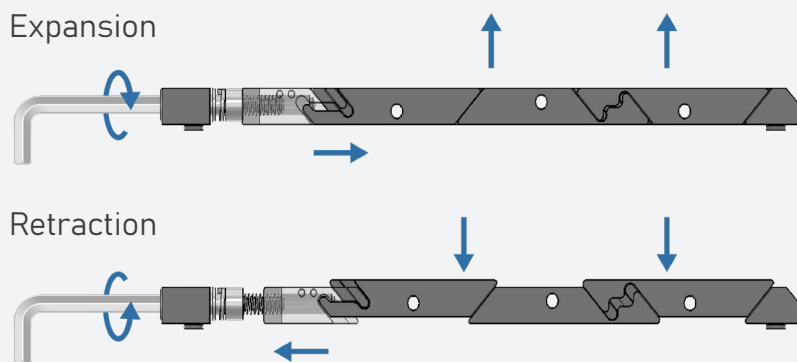
## OPTIMIZED FOR VITA 48.2 AND CPCI



US PATENT  
8,456,846

## POSITIVE RETRACTION

Adjacent wedge segments are connected to prevent a stuck wedge lock. Turning the drive screw counterclockwise retracts the threaded drive wedge, pulling each of the connected segments down to their relaxed position.



SW5 Pictured

## THERMAL RESISTANCE

0.18 °C/W Resistance per Card Edge

## FEATURES

- 700 lb Clamping Force
- Mass: 11 g
- #6 Drive Screw
- Zero Insertion Force
- Low Profile Design
- Self-Retracting Segments
- Superior Plating Endurance
- Optimized for Vita Specifications
- Models Available for Download
- Torque to 6-10 in-lbs

## MATERIALS

Active Wedge Segments: 6061-T6511

Front Mounting Block: 6061-T6511

Screws, Nuts, Washers:  
300 Series Stainless Steel  
(passivated per AMS - 2700)

## 3D MODEL:

<https://a360.co/3sznMKr>

The SOLIDWEDGE™ design provides three times the thermal contact area of conventional wedge locks. The design also features a larger screw size, which creates higher contact forces between the heat frame and cold wall surfaces, significantly improving thermal performance.

The interconnected links of the SOLIDWEDGE™ feature positive retraction of all segments without the use of springs or other mechanisms.

## PART NUMBER BUILDER

Required

Additional Specifications

<b>SW5</b>	<b>34</b>	<b>225</b>	<b>225</b>	<b>XXX</b>	<b>XX</b>	<b>YY</b>		
Wedge:	Spacing: 3.4" MOUNTING HOLE SPACING	Height: 0.225"	Width: 0.225"	Hex:	Finish:	1	2	3
SW - SOLIDWEDGE 5 - ACTIVE SEGMENTS				3/32" HEX KEY - [332] M2.5 HEX KEY - [M25] 7/64" HEX KEY - [764]		[BV] - BELLEVILLE WASHERS [NL] - NYLOK LOCK PATCH [HC] - HELICOIL INSERTION		
<ul style="list-style-type: none"> <li><span style="display: inline-block; width: 15px; height: 10px; background-color: black; margin-right: 5px;"></span> BLACK ANODIZE PER MIL-A-8625, TYPE II, CLASS 2 [BA]</li> <li><span style="display: inline-block; width: 15px; height: 10px; background-color: gray; margin-right: 5px;"></span> HARD BLACK ANODIZE PER MIL-A-8625, TYPE III, CLASS 2 [BH]</li> <li><span style="display: inline-block; width: 15px; height: 10px; background-color: white; border: 1px solid black; margin-right: 5px;"></span> CHEMICAL FILM PER MIL-C-5541, CLASS 1A, CLEAR [CC]</li> <li><span style="display: inline-block; width: 15px; height: 10px; background-color: gold; margin-right: 5px;"></span> CHEMICAL FILM PER MIL-C-5541, CLASS 1A, GOLD, NON-ROHS [CG]</li> <li><span style="display: inline-block; width: 15px; height: 10px; background-color: silver; margin-right: 5px;"></span> ELECTROLESS NICKEL PER MIL-C-26074, CLASS 4, GRADE B, BRIGHT [EN]</li> </ul>								

**RECOMMENDED PART NUMBER: SW5-34-225-225-332-BA-BV-HC**

## MOUNTING DETAILS

