

The SOLIDWEDGE™ is a breakthrough technology that allows conduction cooled modules to operate at higher thermal loads in higher temperature environments.

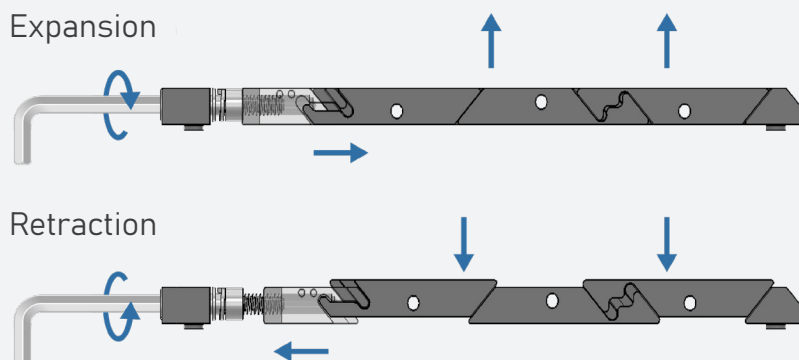
OPTIMIZED FOR VITA 48.2 AND CPCI



US PATENT
8,456,846

POSITIVE RETRACTION

Adjacent wedge segments are connected to prevent a stuck wedge lock. Turning the drive screw counterclockwise retracts the threaded drive wedge, pulling each of the connected segments down to their relaxed position.



SW5 Pictured

THERMAL RESISTANCE

0.18 °C/W Resistance per Card Edge

FEATURES

- 700 lb Clamping Force
- Mass: 18 g
- #6 Drive Screw
- Zero Insertion Force
- Low Profile Design
- Self-Retracting Segments
- Superior Plating Endurance
- Optimized for Vita Specifications
- Models Available for Download
- Torque to 6-10 in-lbs

MATERIALS

- Active Wedge Segments: 6061-T6511
- Front Mounting Block: 7075-T7351
- Screws, Nuts, Washers:
300 Series Stainless Steel
(passivated per AMS - 2700)

3D MODEL:

<https://a360.co/49pgAkZ>



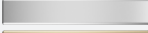

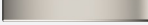
The SOLIDWEDGE™ design provides three times the thermal contact area of conventional wedge locks. The design also features a larger screw size, which creates higher contact forces between the heat frame and cold wall surfaces, significantly improving thermal performance.

The interconnected links of the SOLIDWEDGE™ feature positive retraction of all segments without the use of springs or other mechanisms.

PART NUMBER BUILDER

Required

Additional Specifications

SW5	64	225	225	XXX	XX	YY		
Wedge:	Spacing: 6.4" MOUNTING HOLE SPACING	Height: 0.225"	Width: 0.225"	Hex:	Finish:	1	2	3
SW - SOLIDWEDGE 5 - ACTIVE SEGMENTS				3/32" HEX KEY - [332] M2.5 HEX KEY - [M25] 7/64" HEX KEY - [764]		[BV] - BELLEVILLE WASHERS [NL] - NYLOK LOCK PATCH [HC] - HELICOIL INSERTION		
 BLACK ANODIZE PER MIL-A-8625, TYPE II, CLASS 2 [BA]	 HARD BLACK ANODIZE PER MIL-A-8625, TYPE III, CLASS 2 [BH]	 CHEMICAL FILM PER MIL-C-5541, CLASS 1A, CLEAR [CC]	 CHEMICAL FILM PER MIL-C-5541, CLASS 1A, GOLD, NON-ROHS [CG]	 ELECTROLESS NICKEL PER MIL-C-26074, CLASS 4, GRADE B, BRIGHT [EN]				

RECOMMENDED PART NUMBER: SW5-64-225-225-332-BA-BV-HC

MOUNTING DETAILS

