

The SOLIDWEDGE™ is a breakthrough technology that allows conduction cooled modules to operate at higher thermal loads in higher temperature environments.

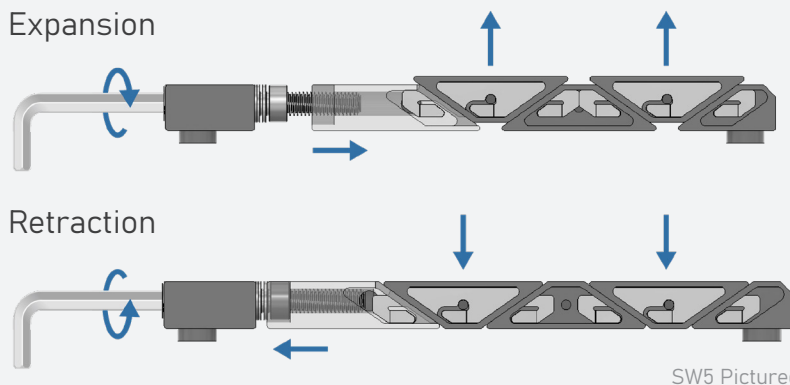
OPTIMIZED FOR VITA 48.2 AND CPCI



US PATENT
8,456,846

POSITIVE RETRACTION

Adjacent wedge segments are connected to prevent a stuck wedge lock. Turning the drive screw counterclockwise retracts the threaded drive wedge, pulling each of the connected segments down to their relaxed position.



THERMAL RESISTANCE

0.1 °C/W Resistance per Card Edge

FEATURES

- 1000 lb Clamping Force
- Mass: 28 g
- Helicoil Insert
- #6 Drive Screw
- Zero Insertion Force
- Low Profile Design
- Self-Retracting Segments
- Superior Plating Endurance
- Optimized for Vita Specifications
- Models Available for Download
- Torque to 6-10 in-lbs

MATERIALS

Active Wedge Segments: 6061-T6511

Front Mounting Block: 7075-T7351

Screws, Nuts, Washers:
300 Series Stainless Steel
(passivated per AMS - 2700)

Helicoil Wire Insert: Nitronic 60

3D MODEL:

<https://a360.co/40xqZXw>



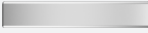


The SOLIDWEDGE™ design provides three times the thermal contact area of conventional wedge locks. The design also features a larger screw size, which creates higher contact forces between the heat frame and cold wall surfaces, significantly improving thermal performance.

The interconnected links of the SOLIDWEDGE™ feature positive retraction of all segments without the use of springs or other mechanisms.

PART NUMBER BUILDER

Required

Additional Specifications

SW5	90	270	250	XXX	XX	30D	B075	
Wedge:	Spacing:	Height: 0.270"	Width: 0.250"	Hex:	Finish:	1	2	3
9" MOUNTING HOLE SPACING						30° WEDGE SEGMENTS		
SW - SOLIDWEDGE 5 - ACTIVE SEGMENTS				3/32" HEX KEY - [332] M2.5 HEX KEY - [M25] 7/64" HEX KEY - [764]		BOSS LENGTH 0.075"		
 BLACK ANODIZE PER MIL-A-8625, TYPE II, CLASS 2 [BA]  HARD BLACK ANODIZE PER MIL-A-8625, TYPE III, CLASS 2 [BH]  CHEMICAL FILM PER MIL-C-5541, CLASS 1A, CLEAR [CC]  CHEMICAL FILM PER MIL-C-5541, CLASS 1A, GOLD, NON-ROHS [CG]  ELECTROLESS NICKEL PER MIL-C-26074, CLASS 4, GRADE B, BRIGHT [EN]								

RECOMMENDED PART NUMBER: SW5-90-270-250-332-BA-30D-B075-BV

MOUNTING DETAILS

